

4

3

2

1

D

D

C

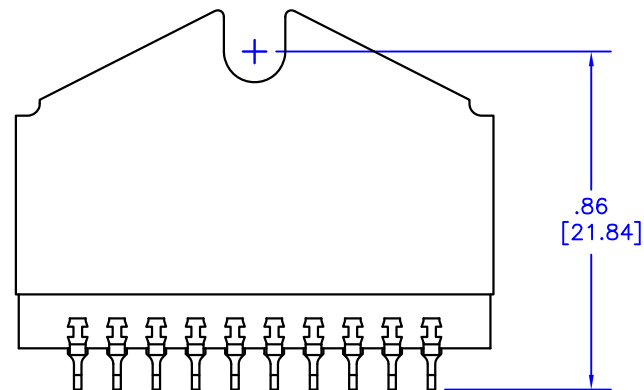
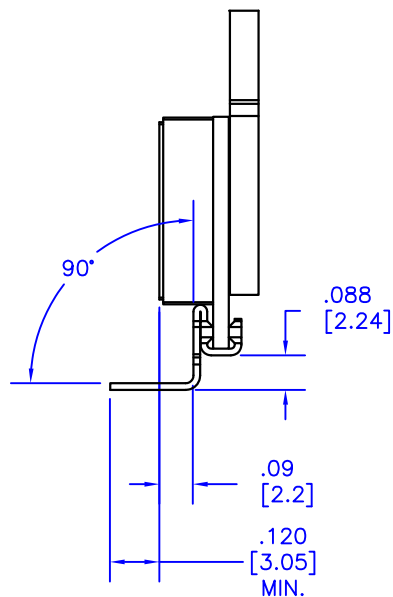
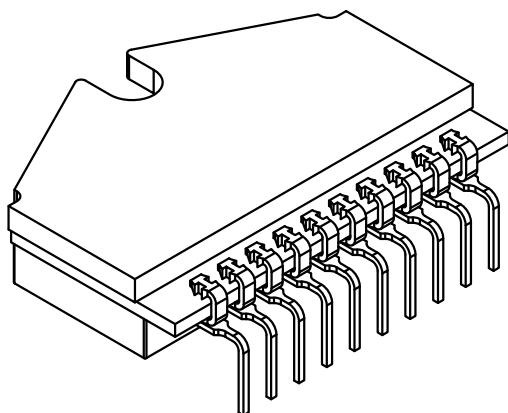
C

B

B

A

A



NOTES:

- 1. Dimensions are inches & [mm].
- 2. For other dimensions and information on this package with unformed leads, see package FL.

TOLERANCES - UNLESS OTHERWISE SPECIFIED	
.XX	= ±.01 [.254]
.XXX	= ±.005 [.127]
ANG.	= ±5°



TITLE 10-PIN PSIP, 90° FORMED LEADS					PACKAGE FU	
SUBJECT MECHANICAL PACKAGE OUTLINE						
ENG. RER	TECH/DRAWL D-M	DCA 80171	SPL 1	OF 1	FILENAME FU	REV B
					DATE 06/17/08	

4

3

2

1