

4

3

2

1

D

D

C

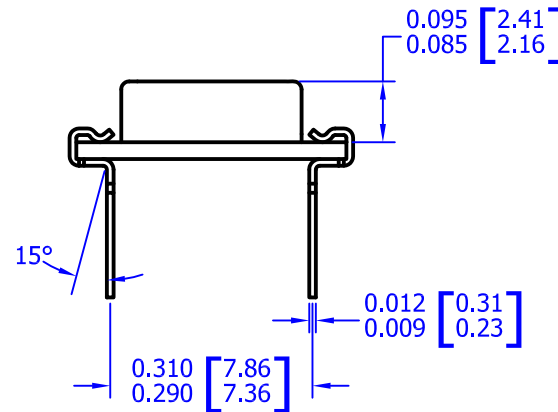
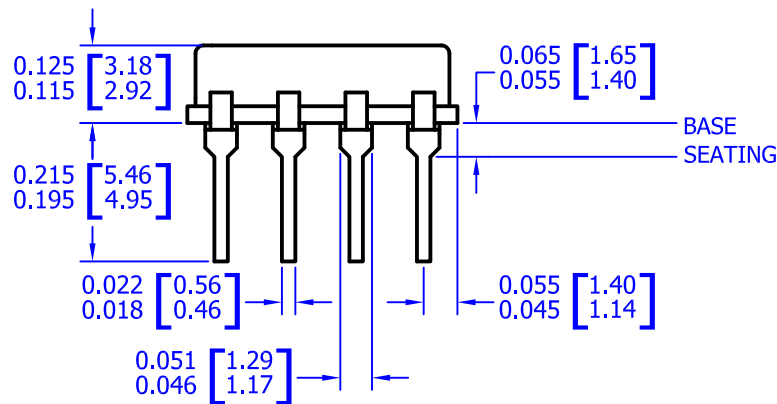
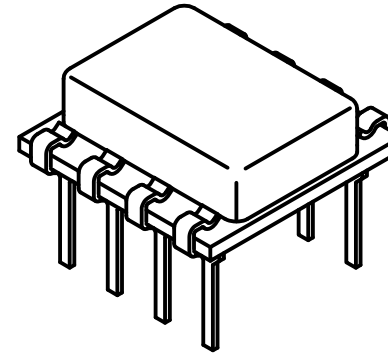
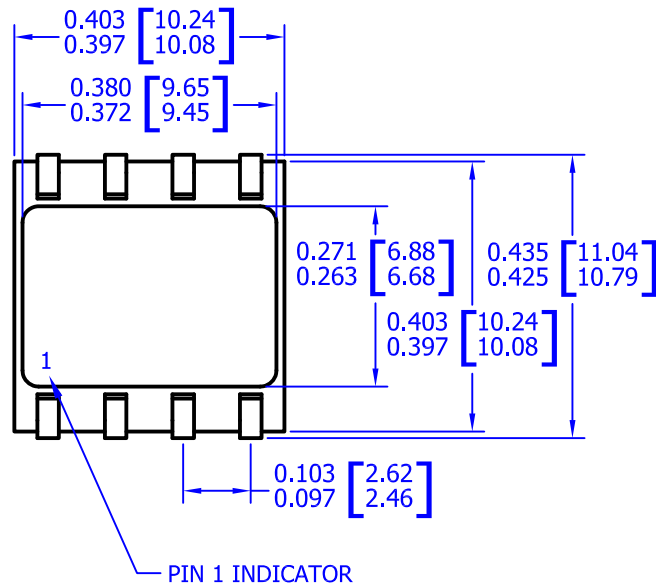
C

B

B

A

A



**NOTES:**

1. Dimensions are inches & [millimeters].
2. Bracketed alternate units are for reference only.
3. Pins: Phosphor bronze, Sn/Ag 96/4 solder dipped.
4. Material: Alumina Ceramic substrate and cover.
5. Package weight: 0.028 oz. [0.785 g].

TOLERANCES - UNLESS OTHERWISE SPECIFIED	
.XX	= ±.01 [.254]
.XXX	= ±.005 [.127]
ANG. = ±.5°	



TITLE <b>8-pin DIP</b>						PACKAGE <b>KD</b>	
SUBJECT MECHANICAL PACKAGE OUTLINE							
ENG. P.ECK	TECH/DRAWL P.ECK	DCA 90079	SPL 1	OF 1	FILENAME KD	REV A	DATE 26MAR09

4

3

2

1