

4

3

2

1

D

D

C

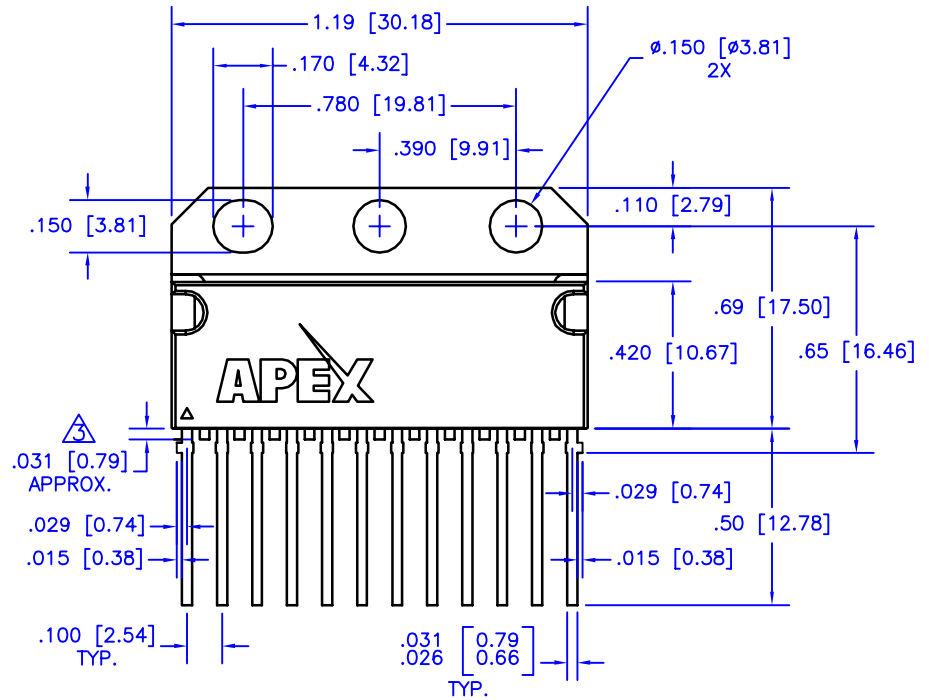
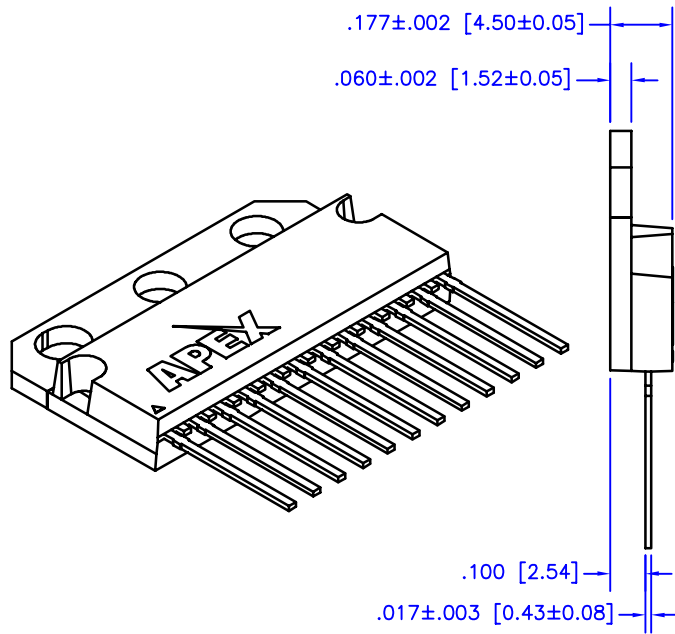
C

B

B

A

A

**NOTES:**

1. Dimensions are inches & [mm].
2. Triangle denotes pin 1.
3. Assemble with care to avoid solder bridging across stub pins.
4. Plastic may be present between leads and stub pins.
5. Pins & finish: Nickel/Palladium plated CDA19400 copper.
6. Mold compound: Sumitomo EME6300HX
7. Package weight: 0.29 oz [8.3 g]

TOLERANCES - UNLESS
 OTHERWISE SPECIFIED
 .XX = ±.01 [.254]
 .XXX = ±.005 [.127]
 ANG. = ±.5°



TITLE 12-PIN MOLDED PLASTIC SIP				PACKAGE EU	
SUBJECT MECHANICAL PACKAGE OUTLINE					
ENL D-M	REV/ORN P.ECK	QTY 44602	PKL OF 1 1	FILENAME EU	REV DATE B 14JUL04

4

3

2

1