

4

3

2

1

D

D

C

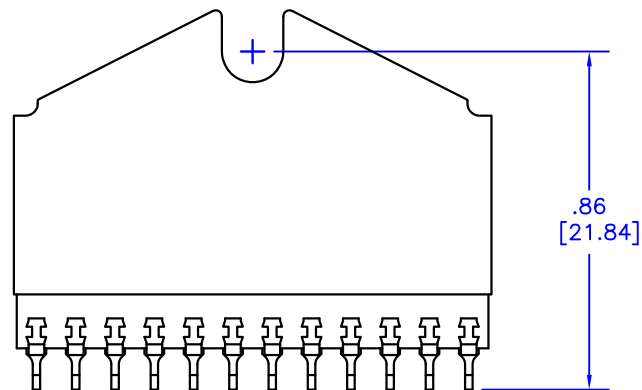
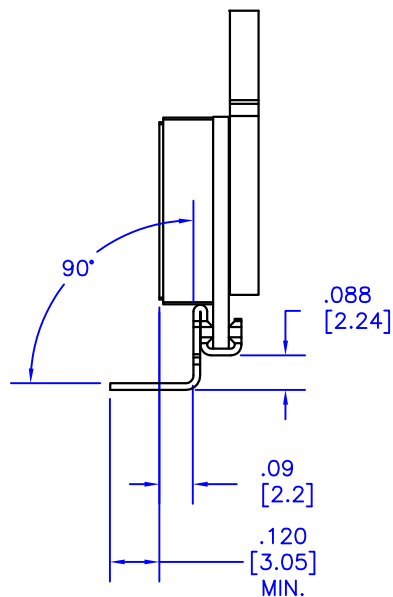
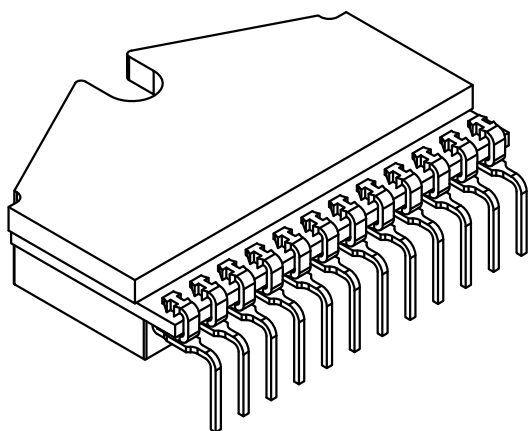
C

B

B

A

A



NOTES:

- 1. Dimensions are inches & [mm].
- 2. For other dimensions and information on this package with unformed leads, see package DP.

TOLERANCES - UNLESS OTHERWISE SPECIFIED	
.XX	= ±.01 [.254]
.XXX	= ±.005 [.127]
ANG.	= ±5°



TITLE 12-PIN PSIP, 90° FORMED LEADS				PACKAGE	
SUBJECT MECHANICAL PACKAGE OUTLINE					
ENG:	TECH/DRAW:	DCA	SPL OF	FILENAME:	REV DATE
RER	D-M	80171	1 1	EE	B 06/17/08

EE	
B	06/17/08

4

3

2

1