

4

3

2

1

D

D

C

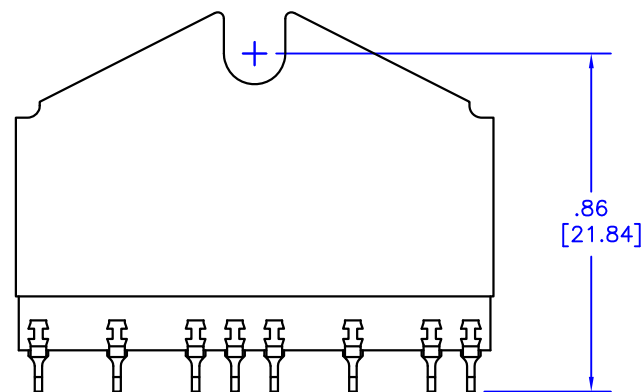
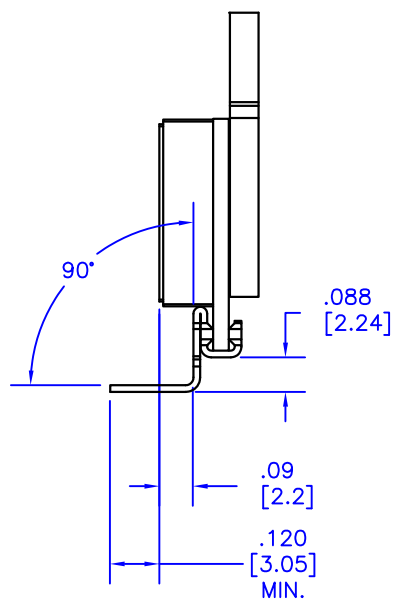
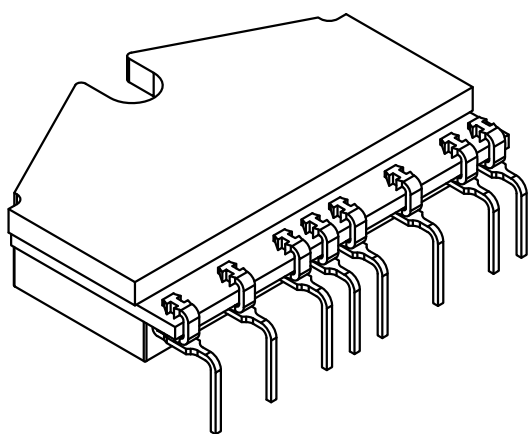
C

B

B

A

A



**NOTES:**

- 1. Dimensions are inches & [mm].
- 2. For other dimensions and information on this package with unformed leads, see package DQ.

TOLERANCES - UNLESS OTHERWISE SPECIFIED	
.XX	= ±.01 [.254]
.XXX	= ±.005 [.127]
ANG.	= ±5°



TITLE		8-PIN PSIP, 90° FORMED LEADS				PACKAGE	
SUBJECT		MECHANICAL PACKAGE OUTLINE				EC	
ENG:	TECH/DRAW:	DCA	80171	SPL OF	1 1	FILENAME:	REV
RER	D-M					EC	B
							DATE
							06/17/08

PACKAGE		EC	
REV	DATE	B	06/17/08

4

3

2

1