

4

3

2

1

D

D

C

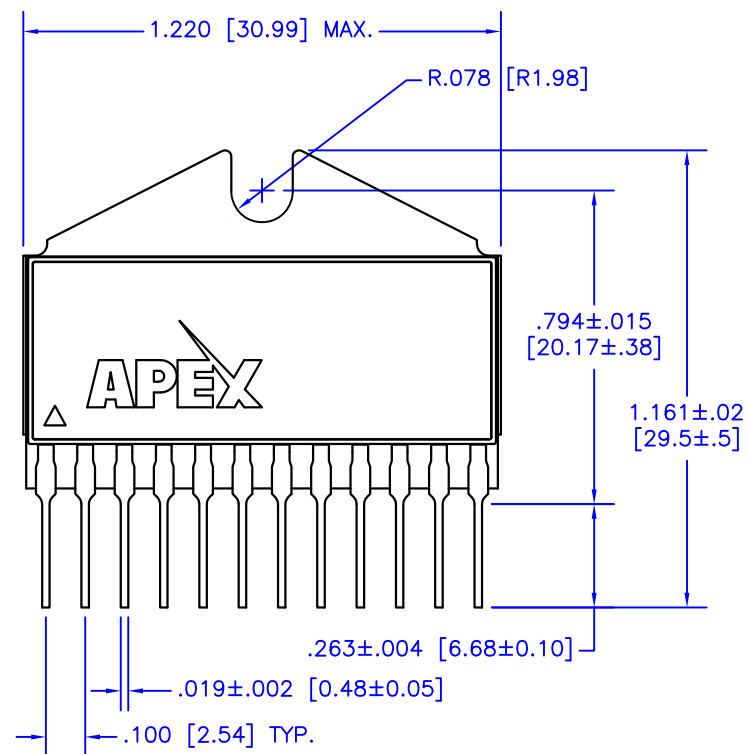
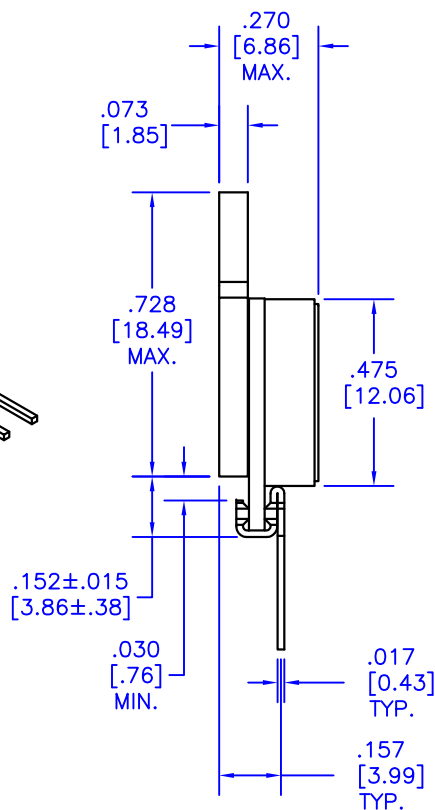
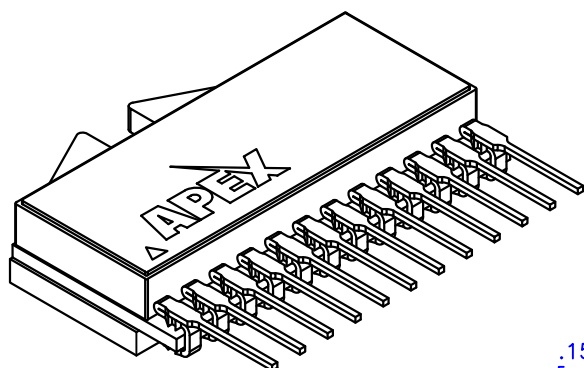
C

B

B

A

A



NOTES:

1. Dimensions are inches & [mm].
2. Triangle on lid denotes pin 1.
3. Pins: CDA 510 phosphor bronze with tin-lead solder finish
4. Package: Vectra liquid crystal polymer, black
5. Epoxy-sealed & ultrasonically welded non-hermetic package.
6. Package weight: .367 oz. [11.41 g]

TOLERANCES - UNLESS OTHERWISE SPECIFIED	
.XX	= ±.01 [.254]
.XXX	= ±.005 [.127]
ANG.	= ±5°



TITLE 12-PIN POWER SIP						PACKAGE DP	
SUBJECT MECHANICAL PACKAGE OUTLINE							
ENG. RER	TECH/DRAWL D-M	DCA 80171	SPL 1	OF 1	FILENAME DP	REV B	DATE 06/17/08

4

3

2

1