

New ADC Family Delivers Unrivalled Sound Quality With 24-Bit Performance at 192 kHz, It's DVD Audio-Ready

CS5361 Features

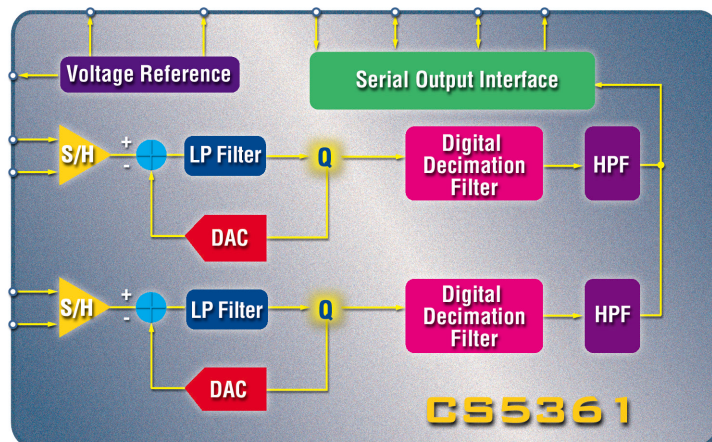
- Advanced multi-bit delta-sigma architecture
- 24-bit conversion
- System sampling rates up to 192 kHz
 - DVD Audio compatible
- 114 dB dynamic range
- 103 dB THD+N
- 5V analog power supply
- 3-5V digital power supply
- 135 mW power consumption
- Supports logic levels between 5 and 1.8V
- High pass filter or DC offset calibration
- Differential analog architecture
- Linear phase digital anti-alias filtering
- Supports Master or Slave mode operation
- Functionally compatible with the CS5351
- Available in 24-pin SOIC
- CS5361 price: \$4.95 (10K)

CS5361 Applications

- AV receivers
- DVD-R
- CD-R
- Digital mixing consoles
- Effects processors
- Automotive



Actual Size



CS5361 and CS5351 are your most complete analog-to-digital converters for digital audio systems like A/V receivers, DVD-R, CD-R, digital mixing consoles, effects processors, and automotive applications. CS5361 is ideal for all audio applications requiring wide dynamic range, negligible distortion, and low noise—it delivers all the performance you need, like 192 kHz sampling rate and 114 dB dynamic range—ideal for DVD Audio-ready AV receivers. CS5361 uses a 5th-order, multi-bit delta-sigma modulator followed by digital filtering and decimation to eliminate the need for an external anti-alias filter. It uses a differential architecture that provides excellent noise rejection. Designed for performance, you get professional sound quality at an astonishing price.

For cost sensitive applications, use the CS5351, which is functionally compatible with the CS5361. It also shares the same footprint. CS5351 utilizes a single-ended input architecture versus the differential inputs employed by the CS5361. CS5351 offers 108 dB dynamic range and 100 dB THD+N, so manufacturers can still deliver excellent analog performance and sound quality at competitive price points starting at \$3.95 in 10K quantity.

CS5361 and CS5351 are Cirrus Total Entertainment Total-E™ IC solutions.