

4

3

2

1

D

D

C

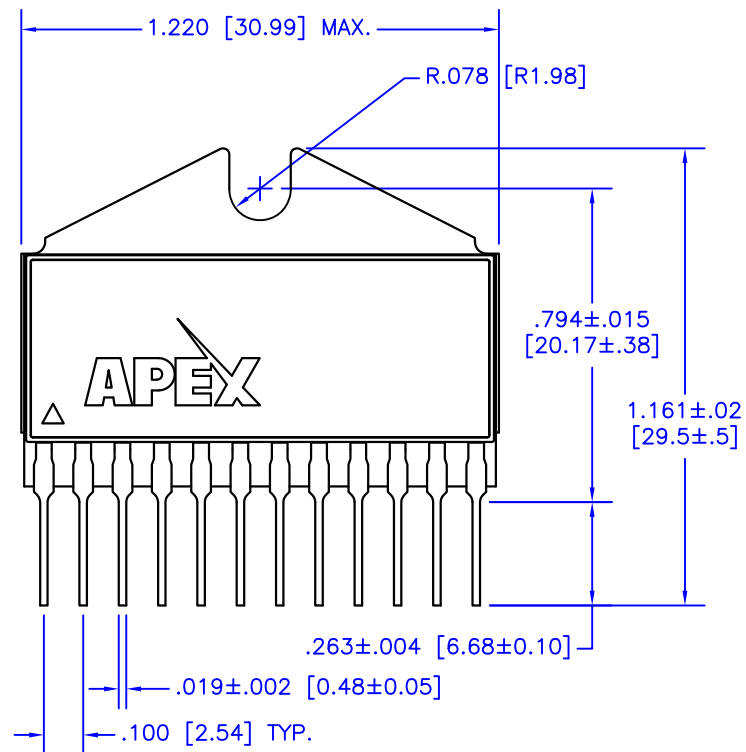
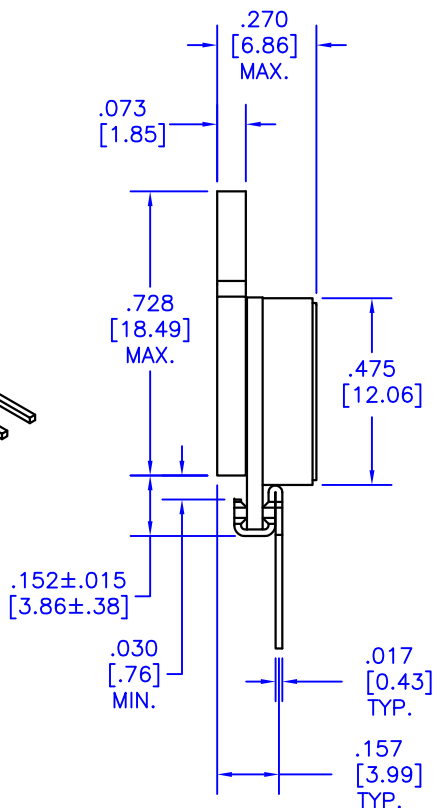
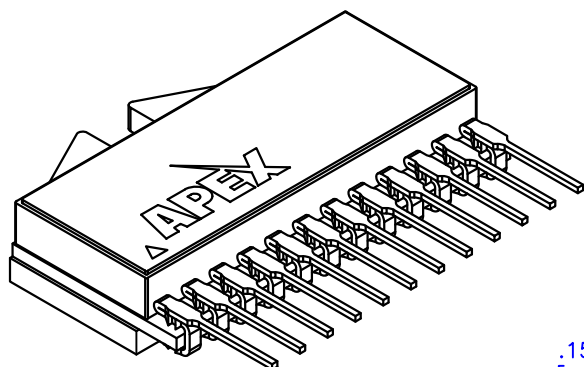
C

B

B

A

A



NOTES:

1. Dimensions are inches & [mm].
2. Triangle on lid denotes pin 1.
3. Pins: Alloy 510 phosphor bronze plated with matte tin (150 - 300 μ) over nickel (50 μ max.) underplate.
4. Package: Vectra liquid crystal polymer, black
5. Epoxy-sealed & ultrasonically welded non-hermetic package.
6. Package weight: .367 oz. [11.41 g]

TOLERANCES - UNLESS OTHERWISE SPECIFIED	
.XX	= ±.01 [.254]
.XXX	= ±.005 [.127]
ANG. = ±5°	



TITLE 12-PIN POWER SIP					PACKAGE DP	
SUBJECT MECHANICAL PACKAGE OUTLINE						
ENG. RER	TECH/DRAWN P.ECK	DCA 90446	SPL 1	OF 1	FILENAME DP	REV C
					DATE 06NOV09	

4

3

2

1