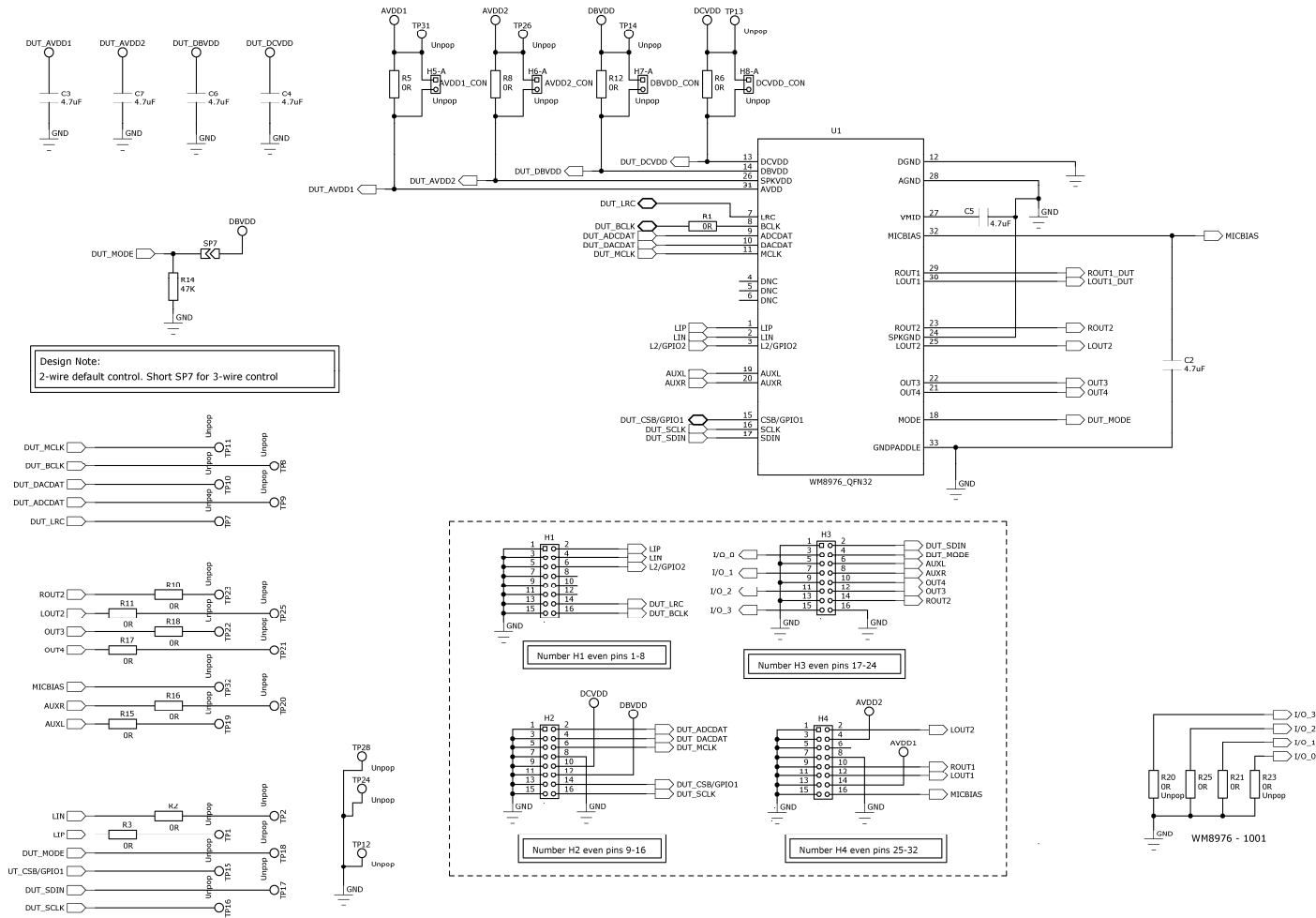
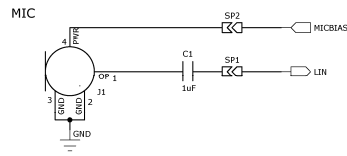


DOC TYPE:	SCHEMATIC AND LAYOUT
BOARD REFERENCE:	WM8976-6160-FL32-M-REV1
BOARD TYPE:	Customer Mini Board
WOLFSON DEVICE(S):	WM8976
DATE:	September 2008
DOC REVISION:	Rev 1.0

SCHEMATIC

Sheet 1: WM8976

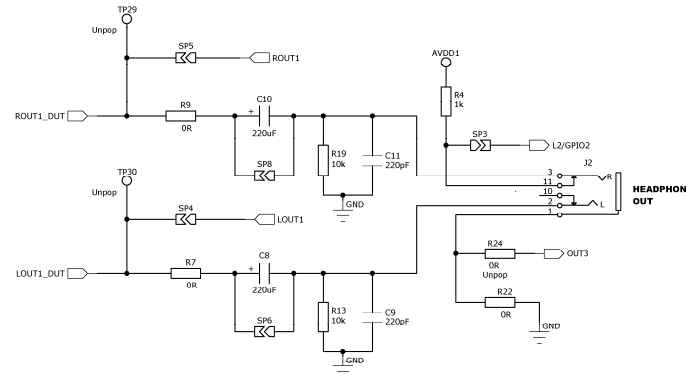




User Note:
When MIC is not in use MICBIAS should be disabled in the register settings

REFERENCE TABLES

	Short	Open	
H9-B	AVDD to DUT	No AVDD to DUT	No FIT
PCB Ref: AVDD1_CON			
H10-B	HPVDD to DUT	No HPVDD to DUT	No FIT
PCB Ref: AVDD2_CON			
H11-B	DBVDD to DUT	No DBVDD to DUT	No FIT
PCB Ref: DBVDD_CON			
H12-B	DCVDD to DUT	No DCVDD to DUT	No FIT
PCB Ref: DCVDD_CON			



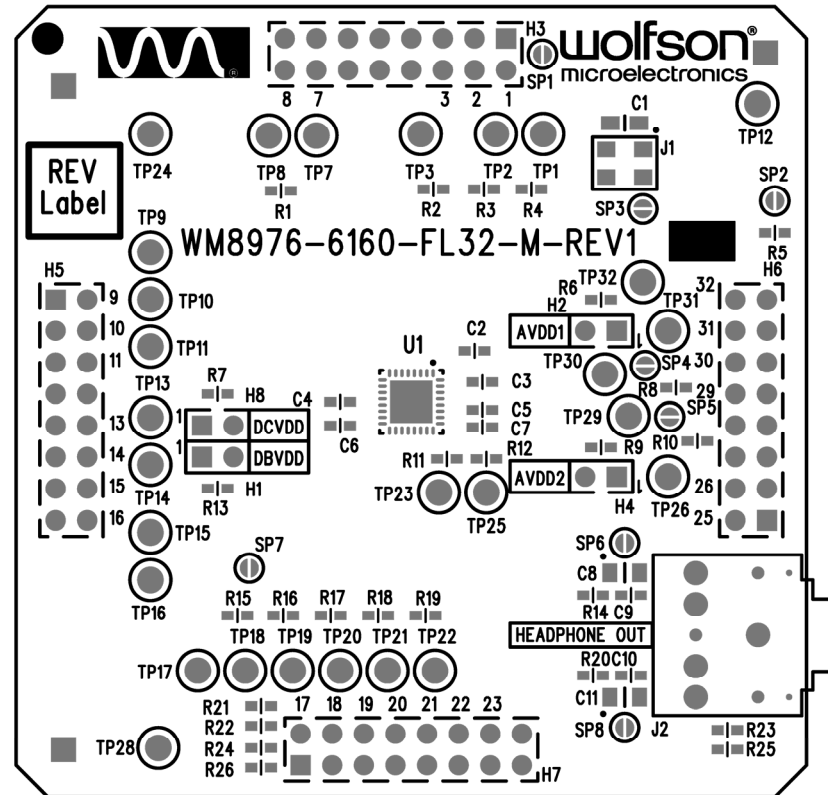
User Note:

- Short SP8 & SP6 remove R25 and pop R24 when using capless mode.
- Short SP3 for headphone detect
- Short SP5 & SP4, remove R9 & R10 if using the Phono Connections on the main board.

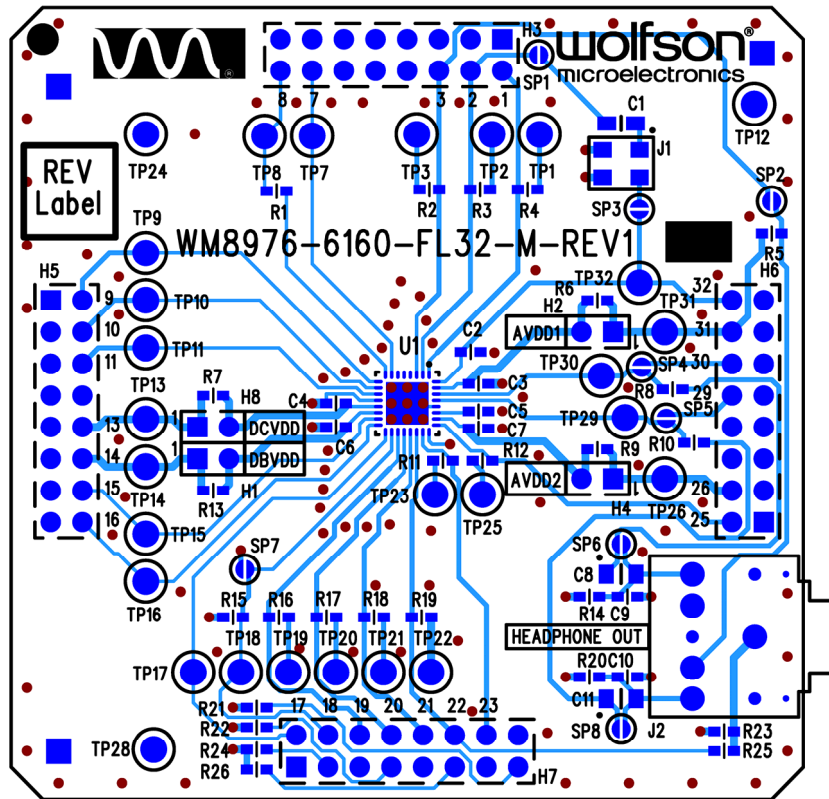
BILL OF MATERIALS (BOM)

<i>Item</i>	<i>RefDes</i>	<i>Description</i>	<i>Manufacturer</i>	<i>Manufacturer's Part Number</i>
1	J2	3.5mm Jack Socket 6.5mm Centre Height	Technik Industrial	TSH-3565-PBT-TIC-T
2	J1	Mini Surface Mount Silicon Microphone with RF Protection	Knowles Acoustics	SPM0204HE5
3	C2 C3 C4 C5 C6 C7	4.7uF 0603 SMD Ceramic Capacitor 6.3V X5R	Murata	GRM188R60J475KE19D
4	MISC2	Lead-free label, 15mm round	Brady	805794
5	C8 C11	220uF 4V SMD Tantalum Capacitor case P	Vishay	298D227X0004P2T
6	C9 C10	220pF 0603 SMD Ceramic Capacitor 50V NPO	AVX	06035A221JAT2A
7	R5	1k 0603 SMD chip resistor 1% 0.063W	Multicomp	MC 0.063W 0603 1% 1K
8	R14 R20	10k 0603 SMD chip resistor 1% 0.063W	Multicomp	MC 0.063W 0603 1% 10K
9	R15	47K 0603 SMD chip resistor 1% 0.063W	Multicomp	MC 0.063W 0603 1% 47K
10	R1 R6 R7 R8 R9 R10 R13 R22 R23 R26	0R 0603 SMD chip resistor 1% 0.063W	Multicomp	MC 0.063W 0603 0R
11	C1	1uF 0805 SMD Ceramic Capacitor 10V X7R	Multicomp	N0805R105KCT
12	H3 H5 H6 H7	2x8 2.54mm pitch PCB Socket Strip VERTICAL	SAMTEC	SSQ-108-02-G-D
13	PCB1	PCB	Kelan Circuits Ltd	WM8976-6160-FL32-M-REV1
14	U1	WM8976 Stereo CODEC With Speaker Driver	Wolfson Microelectronics	WM8976GEFLV
Unpop				
15	H1 H2 H4 H8	1x2 PCB Pin Header 0.1" VERTICAL	Harwin	M20-9990245
16	R2 R3 R4 R11 R12 R16 R17 R18 R19 R21 R24 R25	0R 0603 SMD chip resistor 1% 0.063W	Multicomp	MC 0.063W 0603 0R
17	SP1 SP2 SP3 SP4 SP5 SP6 SP7 SP8	Surface mount shorting point	N/A	N/A
18	TP1 TP2 TP3 TP7 TP8 TP9 TP10 TP11 TP12 TP13 TP14 TP15 TP16 TP17 TP18 TP19 TP20 TP21 TP22 TP23 TP24 TP25 TP26 TP28 TP29 TP30 TP31 TP32	1.32mm off-board connection point	N/A	N/A

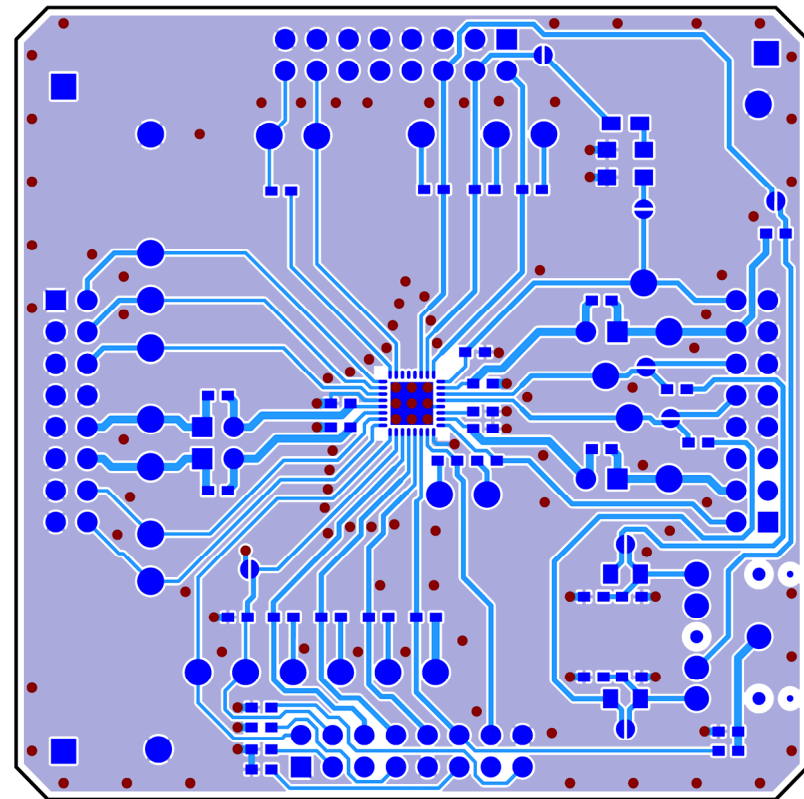
PCB LAYOUT



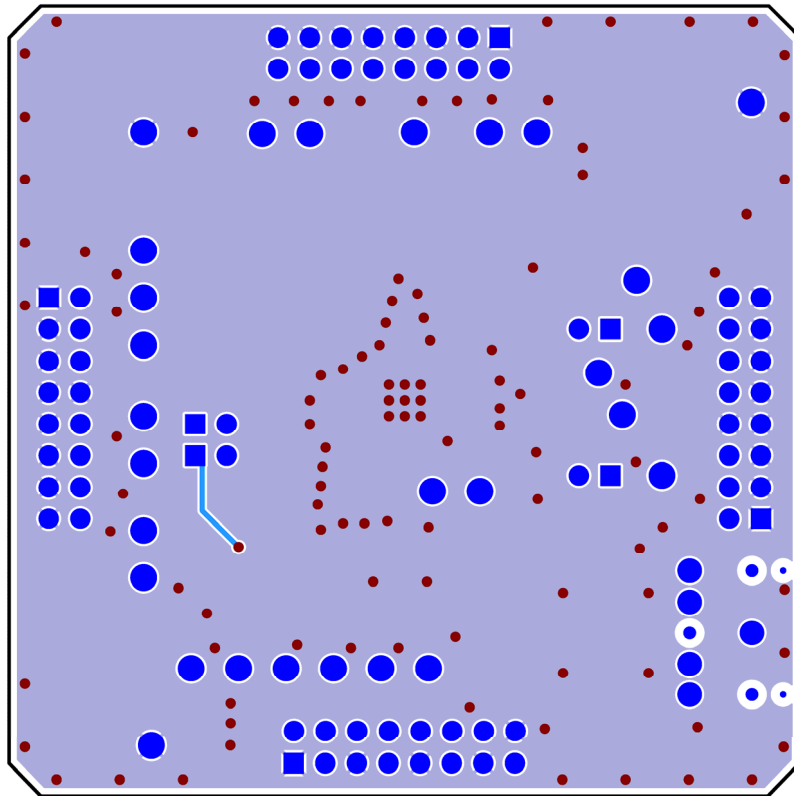
Top Layer: Overview



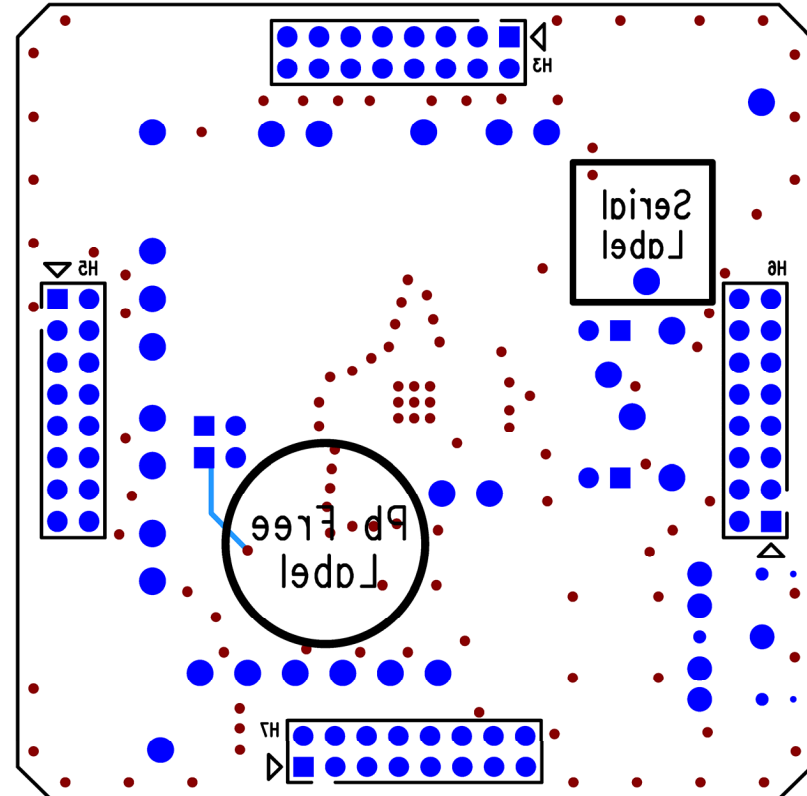
Top Layer: Silkscreen + Copper



Top Layer: Copper



Bottom Layer: Copper



Bottom Layer: Silkscreen + Copper

APPLICATION SUPPORT

If you require more information or require technical support, please contact the Wolfson Microelectronics Applications group through the following channels:

Email: apps@wolfsonmicro.com
Telephone Apps: +44 (0) 131 272 7070
Fax: +44 (0) 131 272 7001
Mail: Applications Engineering at the address on the last page

or contact your local Wolfson representative.

Additional information may be made available on our web site at: <http://www.wolfsonmicro.com>

IMPORTANT NOTICE

Wolfson Microelectronics plc (“Wolfson”) products and services are sold subject to Wolfson’s terms and conditions of sale, delivery and payment supplied at the time of order acknowledgement.

Wolfson warrants performance of its products to the specifications in effect at the date of shipment. Wolfson reserves the right to make changes to its products and specifications or to discontinue any product or service without notice. Customers should therefore obtain the latest version of relevant information from Wolfson to verify that the information is current.

Testing and other quality control techniques are utilised to the extent Wolfson deems necessary to support its warranty. Specific testing of all parameters of each device is not necessarily performed unless required by law or regulation.

In order to minimise risks associated with customer applications, the customer must use adequate design and operating safeguards to minimise inherent or procedural hazards. Wolfson is not liable for applications assistance or customer product design. The customer is solely responsible for its selection and use of Wolfson products. Wolfson is not liable for such selection or use nor for use of any circuitry other than circuitry entirely embodied in a Wolfson product.

Wolfson’s products are not intended for use in life support systems, appliances, nuclear systems or systems where malfunction can reasonably be expected to result in personal injury, death or severe property or environmental damage. Any use of products by the customer for such purposes is at the customer’s own risk.

Wolfson does not grant any licence (express or implied) under any patent right, copyright, mask work right or other intellectual property right of Wolfson covering or relating to any combination, machine, or process in which its products or services might be or are used. Any provision or publication of any third party’s products or services does not constitute Wolfson’s approval, licence, warranty or endorsement thereof. Any third party trade marks contained in this document belong to the respective third party owner.

Reproduction of information from Wolfson datasheets is permissible only if reproduction is without alteration and is accompanied by all associated copyright, proprietary and other notices (including this notice) and conditions. Wolfson is not liable for any unauthorised alteration of such information or for any reliance placed thereon.

Any representations made, warranties given, and/or liabilities accepted by any person which differ from those contained in this datasheet or in Wolfson’s standard terms and conditions of sale, delivery and payment are made, given and/or accepted at that person’s own risk. Wolfson is not liable for any such representations, warranties or liabilities or for any reliance placed thereon by any person.

ADDRESS:

Wolfson Microelectronics plc
Westfield House
26 Westfield Road
Edinburgh
EH11 2QB
United Kingdom
Tel :: +44 (0)131 272 7000
Fax :: +44 (0)131 272 7001
Email :: apps@wolfsonmicro.com